



**DESCRIPTION**

The Electro-Voice Model 719 is a ceramic omnidirectional microphone especially designed for a wide variety of communications and paging applications. It is adaptable for amateur, CB mobile and base station installations, as well as for paging applications. The smooth frequency response makes the model 719 highly useful for a wide variety of public address applications.

The attractively styled, rugged, die-cast stand is carefully balanced for hand-held use as a "grip-to-talk" microphone, yet will remain firmly positioned for "touch-to-talk" use. The lifetime switch assembly has survived many hundreds of thousands of use cycles—assuring the ultimate in reliability. Removal of one mounting screw permits changing the entire switching mode from "touch-to-talk" to "grip-to-talk." A unique locking feature permits locking switch in the "on" position for "hands free" operation in either "grip-to-talk" or "touch-to-talk" mode.

The Model 719 is shipped wired for either electronic or relay switching, selectable at the free end of the cable.

**SPECIFICATIONS**

<b>Element:</b>	Ceramic
<b>Frequency response:</b>	80 – 7,000 Hz
<b>Polar pattern:</b>	Omnidirectional
<b>Impedance:</b>	Hi-Z
<b>Output Level:</b>	-56 dB
<b>EIA sensitivity rating:</b>	-156 dB
<b>Case:</b>	Die-cast zinc
<b>Dimensions:</b>	9 3/4" h. x 4 1/2" w. x 4 3/4" d.
<b>Finish:</b>	TV gray and satin chrome
<b>Net weight:</b>	2 1/4 pounds

- Switch:** DPDT, long-life switch shorts microphone in "off" position. Electronic or relay switching selectable at free end of cable.
- Cable:** 6 1/2', 4-conductor, 1-shielded, black plastic covered.

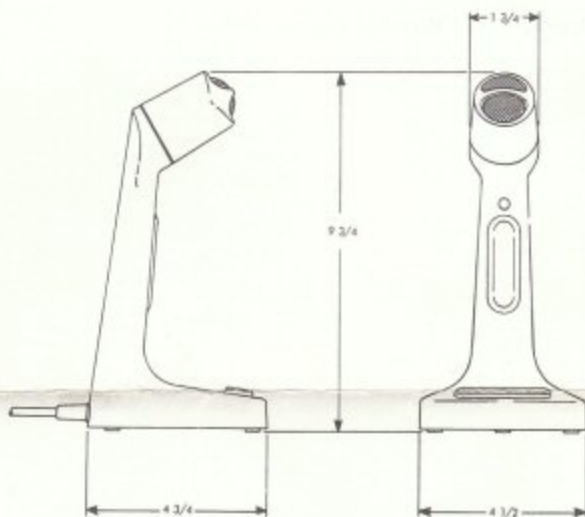


Figure 1 – Dimensions

**WARRANTY**

Each Electro-Voice microphone is guaranteed for the life of the microphone to be free of factory defects in materials and workmanship and will, at our option, be repaired or replaced at no charge if exhibiting malfunction from this cause. Microphones for warranty repair must be shipped prepaid to Electro-Voice, Inc., or its authorized service agency. They will be returned prepaid. This warranty does not cover finish or appearance.

Factory repair department for this product is located at: **Electro-Voice, Inc./Sevierville, Tennessee 37862.**

### ARCHITECTS' AND ENGINEERS' SPECIFICATIONS

The microphone shall be an Electro-Voice Model 719 or equivalent. The microphone shall be an omnidirectional, ceramic type with response from 80 to 7,000 Hz. The microphone output shall be high impedance. The output level shall be -56 dB with O equaling 1 volt/dyne/cm<sup>2</sup>. EIA sensitivity rating shall be -156 dB at high impedance. The microphone case shall be pressure-cast zinc, and shall include a pressure-cast table stand integral with the microphone case. The complete assembly shall be 9¾" high, 4¾" deep, and 4½" wide. A DPDT switch shall be provided, one section of which shall normally short-circuit the transducer when switch is in "off" position and remove short-circuit in the "on" position. A second section of switch shall be provided with capability of function either in electronic switching mode, or for operation of external relay. A locking feature shall be provided by means of which switch may be locked in "on" position. A four-conductor, one shielded, 6½ foot, black plastic-jacketed cable shall be furnished with model 719 high impedance microphone. Relay or electronic switching shall be selectable at free end of cable. The finish of the integral stand shall be non-reflecting gray and the microphone case shall be satin chrome. Net weight shall be 2¼ pounds.

The Electro-Voice Model 719 is specified.

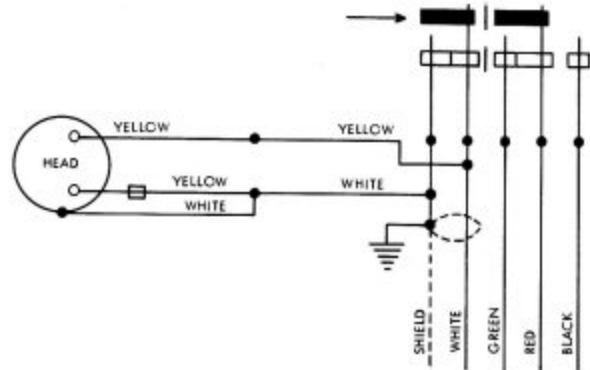


Figure 2 – Wiring Diagram



**SUBJECT: CHANGING SWITCH LOCATION - 619/719**

This microphone is designed for push-to-talk or grip-to-talk operation. When received from the factory, the switch is mounted on the base for push-to-talk use. If desired, the switch may be relocated without any wiring changes to the neck of the microphone for grip-to-talk operation.

To relocate the switch, proceed as follows:

1. Remove the black plastic cover from the neck of the microphone by gently lifting one end with a flat blade. This will expose the grip-to-talk switch opening. Save the cover — it will be needed for the opening on the base of the microphone.
2. Remove two screws and the cover plate from the bottom of the microphone.
3. Slip cable strain relief "H", Figure 1, from slot.
4. Remove screw "A", Figure 1, and gently lift switch assembly "B" and red switch bar "C" away from microphone housing.
5. Separate red switch bar "C" from switch assembly by lifting switch legs "D" away from the microphone housing.
6. Rotate the red switch bar 90-degrees. Insert tab "F" on switch bar in slot "T" on switch assembly (Figure 2). Squeeze legs "D" together and insert in slot on switch bar.
7. Now turn entire switch assembly so top surface of the switch bar faces the front of the microphone and, making sure all leads are neatly positioned at back of microphone neck along rib "J", push the switch assembly into the neck until the switch button is aligned with the opening. (Fig. 4)
8. Align screw "A" with brass cable strain relief, switch mounting hole and threaded hole from which it was removed, and tighten securely.
9. Check the action of the switch to ensure that all wires are properly seated and have not become entangled in the switch assembly.
10. Make sure the cable strain relief grommet is properly seated at rear of the base, and replace bottom plate with two screws.

11. Place the black plastic cover in the opening (from which red switch bar was previously removed) on the base by inserting the two tabs into the opening and snapping into position.

The microphone is now ready for grip-to-talk operation. To restore touch-to-talk operation, perform in reverse and in reverse order, the steps outlined above.

